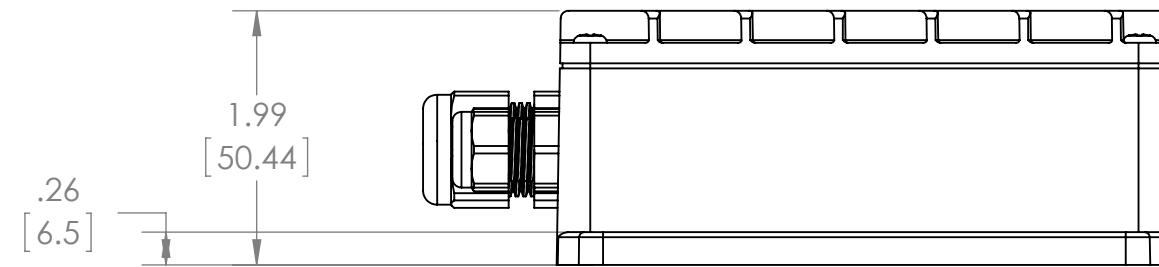
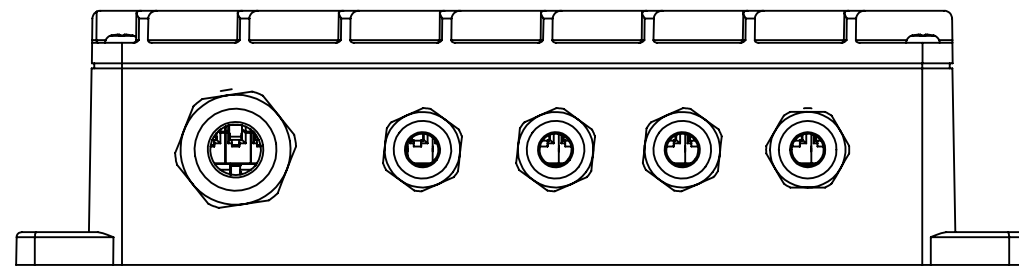
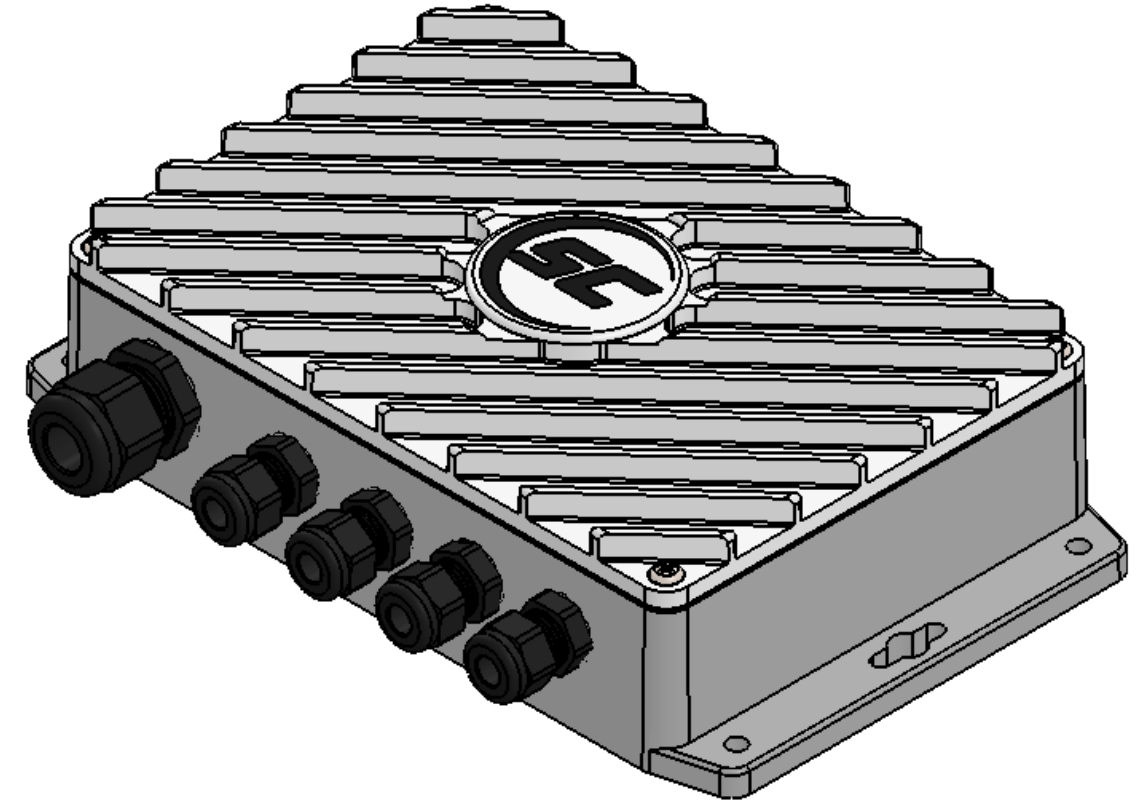
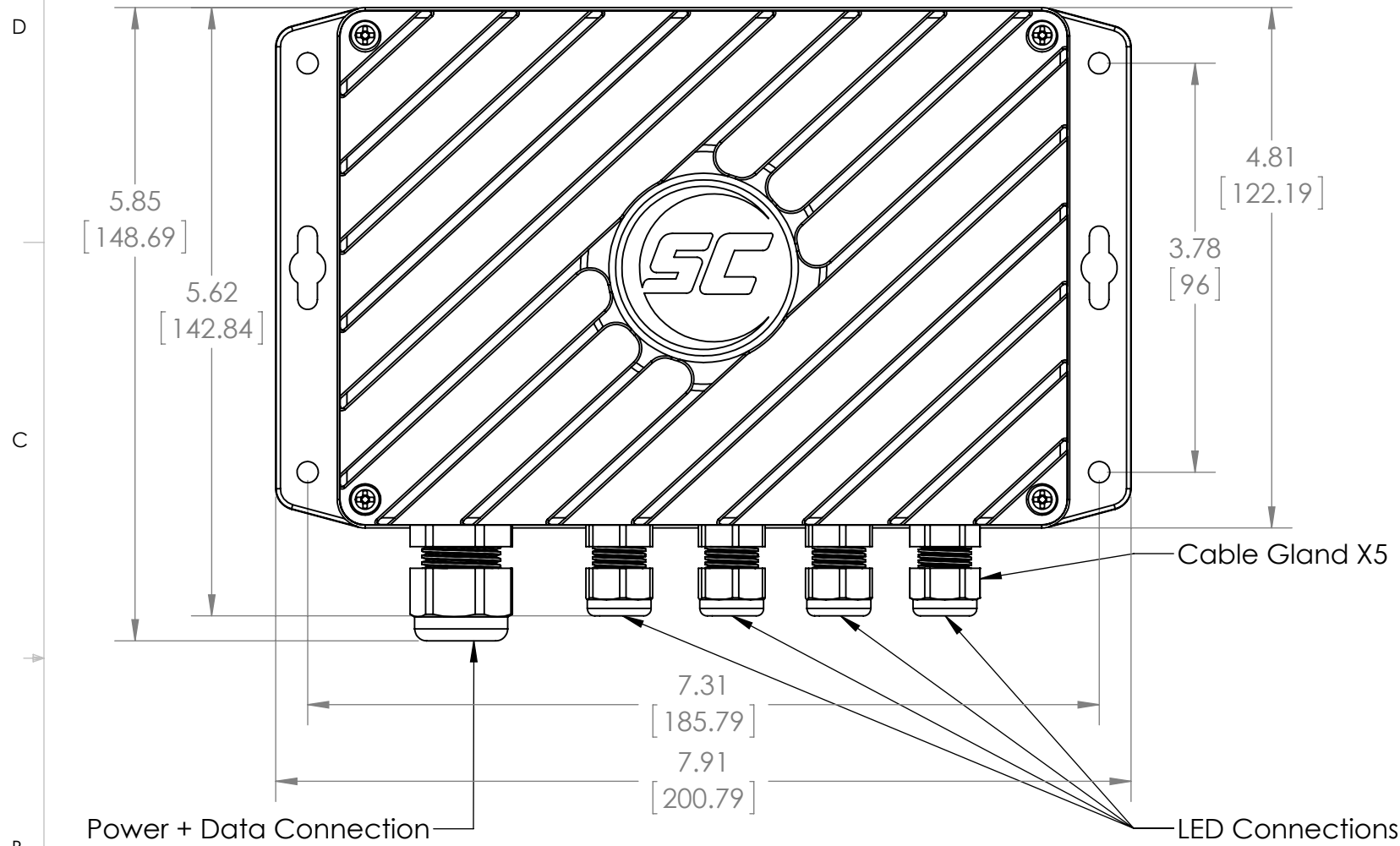


ALL DIMENSION ARE IN INCHES [MM]

REVISIONS			
REV.	DESCRIPTION	DATE	BY
-	PRELIMINARY	12-3-2013	M Mouro



PROPRIETARY AND CONFIDENTIAL
 THE INFORMATION CONTAINED IN THIS DRAWING IS THE SOLE PROPERTY OF SHADOW-CASTER. ANY REPRODUCTION IN PART OR AS A WHOLE WITHOUT THE WRITTEN PERMISSION OF SHADOW-CASTER IS PROHIBITED.

UNLESS OTHERWISE SPECIFIED:		DESIGN	NAME	DATE	Shadow-Caster www.shadow-caster.com TITLE: SCM - ALC Box Dimension SIZE DWG. NO. REV B SC-ALC-TASM-10030 - SCALE: 2:3 SHEET 1 OF 1
DIMENSIONS ARE IN INCHES		DRAWN	M Mouro	12-3-13	
TOLERANCES:		CHECKED	B Rogers	12-3-13	
FRACTIONAL ± 1/32		APPROVED			
ANGULAR: MACH ± 1 BEND ± 2		APPROVED			
TWO PLACE DECIMAL ± .02		COMMENTS:			
THREE PLACE DECIMAL ± .010					
INTERPRET GEOMETRIC TOLERANCING PER: ANSI Y14.5M					
MATERIAL					
FINISH					
NEXT ASSY	USED ON				
APPLICATION	DO NOT SCALE DRAWING				