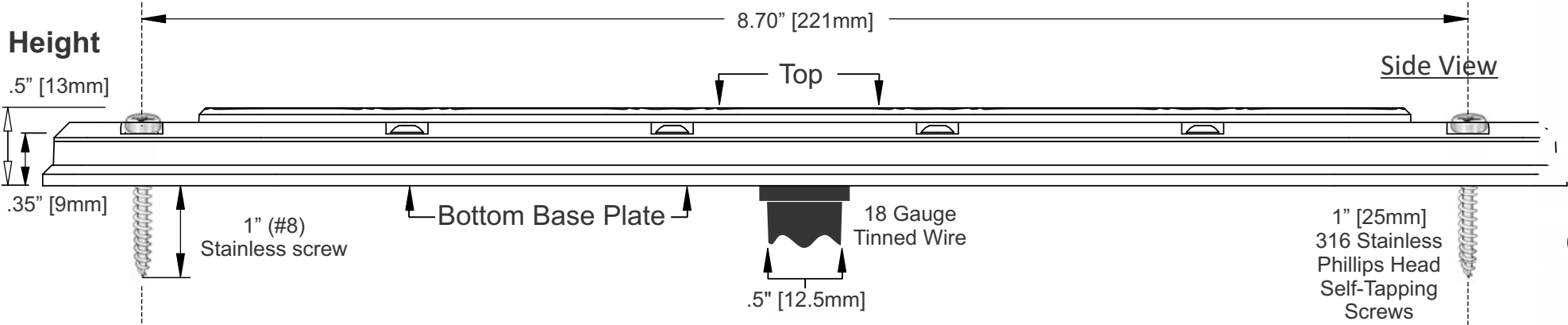
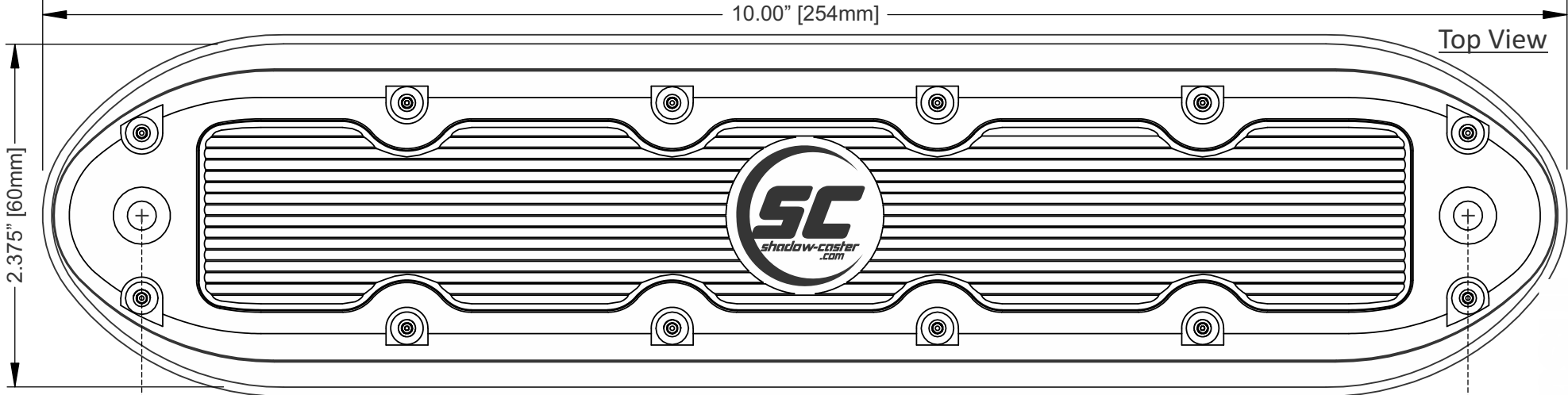


WARNING! Do Not Use ACETONE To Clean The Polycarbonate Lens. Use Alcohol and Soft Cloth.

SCM-CC/SCM-10 Installation Diagram

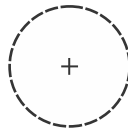


PLEASE READ INSTRUCTIONS INSIDE TEMPLATE

FOR CENTER WIRE HOLE USE THE FOLLOWING:

1st - DRILL PILOT HOLE AT CENTER FOR THE WIRE, THEN USE 5/8" DRILL ALL THE WAY THROUGH

2nd - RUN WIRE THROUGH THE HOLE AND MARK ONE MOUNTING HOLE LOCATION
 3rd - FOLLOW STEPS ON FRONT OF SHEET FOR DRILLING MOUNTING HOLES



SCM-CC™/SCM-10™
 Typical Power Requirements
 3.5 Amps@12v

WHEN PRE-DRILLING SCREWS:
 FIRST PRE-DRILL CENTER HOLE AND RUN WIRE. THEN MARK YOUR SCREW HOLES WITH DRILL BIT OR PENCIL WHILE USING ACTUAL LIGHT HOUSING

WHEN PRE-DRILLING SCREWS:
 FIRST PRE-DRILL CENTER HOLE AND RUN WIRE. THEN MARK YOUR SCREW HOLES WITH DRILL BIT OR PENCIL WHILE USING ACTUAL LIGHT HOUSING

Scale 1:1 (If in doubt ask)

